

7470 Series

Available with NPT or flange connections, vertical or horizontal, this 127 mm scale glass tube meter offer value and versatility in 304 stainless case construction.

Description

Metering Tube

Borosilicate Glass

Internal Components

Standard: 316L Stainless Steel

Optional: Hastelloy® C-276

Inlet/Outlet Fittings

FNPT or Flange, Vertical or Horizontal

Fitting Material

Standard: 316L Stainless Steel

Optional: PVC (vertical connections only)

Elastomers

Standard: Viton®

Optional: Buna-N, EPR, and Kalrez®

Case and Covers

304 Stainless Steel

Options

Alarm

Latching reed switch

Certified Calibrations

Conform to ISA RP 16.6

Scales

Can be produced in any volumetric unit

Float Types:



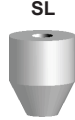
Semi Viscosity Compensation



Maximum Viscosity Compensation



Lowest Pressure Loss



Maximum Flow

Glass Tube

Performance

Capacities

.25 to 116 GPM — Water

1 to 245 SCFM — Air

Scale

127 mm (5")

Direct reading, detachable

Accuracy

± 3% of Full Scale Flow

Turndown

10:1 to 12.5:1, unless otherwise indicated

Repeatability

1/2 %

Max Temperature

316L SS Fittings

250° F (121° C) - Gases

200° F (93° C) - Liquid

PVC Fittings

110° F (43° C) - Liquid

Max Pressure

316L SS Fittings — 250 psig, size 3 & 4

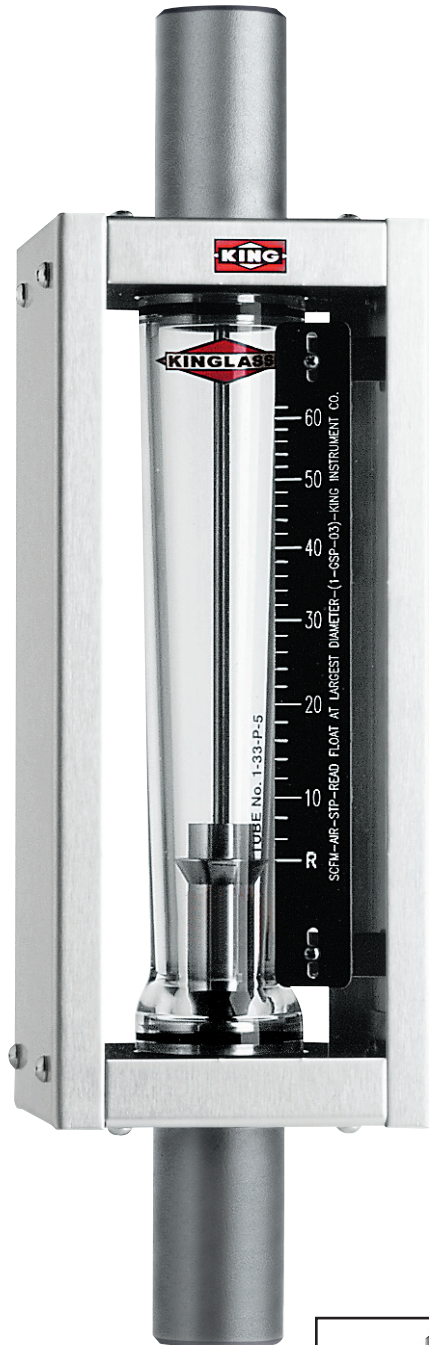
316L SS Fittings — 200 psig, size 5 & 6

316L SS Fittings — 150 psig, size 8 & 9

PVC Fittings — 150 psig

Ambient Temperature

33° F to 125° F (1° C to 52° C)



Alarm Options:

Latching Reed Switch

A latching reed switch is available for 7300, 7470, 7480, 7600 and 7900 Series flowmeters. The switch is reed type and uses a biasing magnet to create a latching feature. The switch is classified as a simple apparatus by UL, FM, etc. and may be suitable for hazardous use when connected to an intrinsic safety barrier. Check your local electrical code for wiring specifications.

Switch Specifications

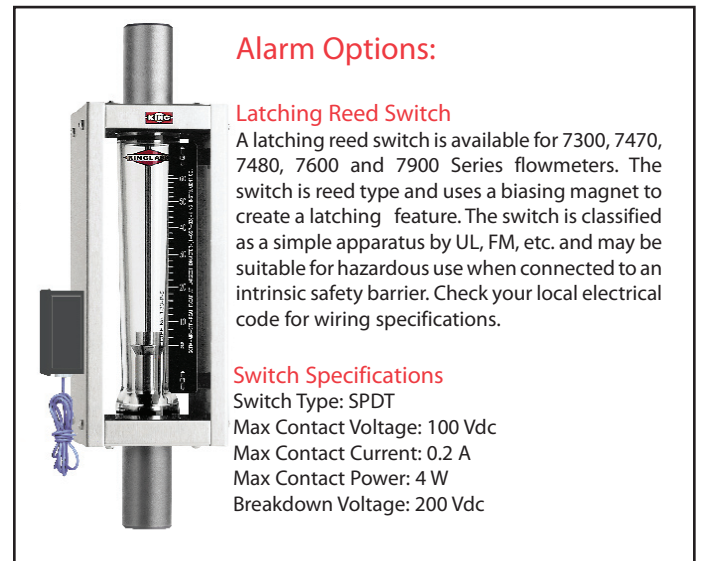
Switch Type: SPDT

Max Contact Voltage: 100 Vdc

Max Contact Current: 0.2 A

Max Contact Power: 4 W

Breakdown Voltage: 200 Vdc

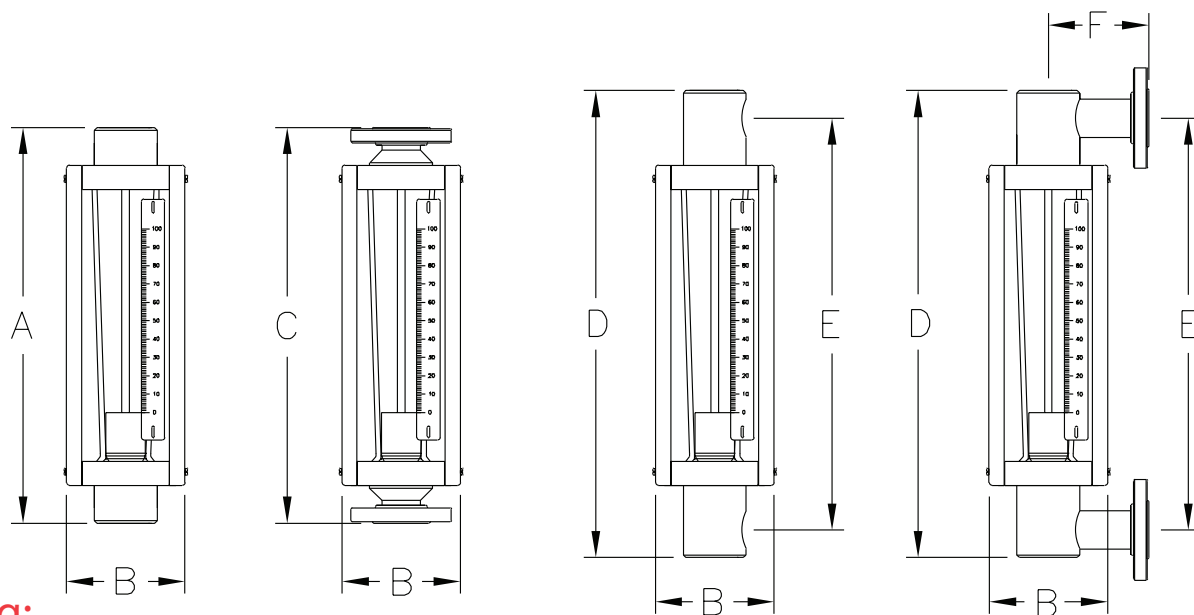


7470 Series

Glass Tube

Specifications:

Order Number	Full Scale Flow GPM - Water	Alarm Options	Order Number	Full Scale Flow SCFM - Air	Alarm Options	Float Number	Float Type	Press. Drop In W.C.	Tube Size - Number	Dimensions (Inches)						Connection	
										A	B	C	D	E	F	FNPT	Flange
31W	.25	No	31A	1.0	No	3/8-LPG-01	LP	---	3G - 3/8-20-G-5	14.78	4.22	14.78	13.13	11.50	3.50	3/4"	1/2"
32W	.36	No	32A	1.5	No	3/8-SLG-01	SL	2	3G - 3/8-20-G-5	14.78	4.22	14.78	13.13	11.50	3.50	3/4"	1/2"
33W	.74	No	33A	3.0	No	3/8-SLG-02	SL	5	3G - 3/8-20-G-5	14.78	4.22	14.78	13.13	11.50	3.50	3/4"	1/2"
41W	1.0	No	41A	4.2	No	1/2-LPG-01	LP	6	4G - 1/2-27-G-5	14.78	4.22	14.78	13.13	11.50	3.50	3/4"	1/2"
43W	2.0	Yes	43A	8.2	Yes	1/2-SLG-01	GS	10	4G - 1/2-27-G-5	14.78	4.22	14.78	13.13	11.50	3.50	3/4"	1/2"
51W	1.5	No	51A	6.0	No	3/4-LPG-01	LP	3	5G - 3/4-30-G-5	14.78	4.22	14.78	13.13	11.50	4.00	3/4"	1"
52W	3.8	Yes	52A	16.0	Yes	3/4-GSG-01	GS	10	5G - 3/4-30-G-5	14.78	4.22	14.78	13.13	11.50	4.00	3/4"	1"
53W	5.0	Yes	53A	21.5	Yes	3/4-SLG-01	SL	14	5G - 3/4-30-G-5	14.78	4.22	14.78	13.13	11.50	4.00	3/4"	1"
61W	6.0	No	61A	25.5	No	1-GVP-01	GV	5	6P - 1-33-P-5	14.78	4.22	14.78	13.13	11.50	4.00	3/4"	1"
62W	7.4	No	62A	30.0	No	1-GVP-02	GV	6	6P - 1-33-P-5	14.78	4.22	14.78	13.13	11.50	4.00	3/4"	1"
63W	9.6	No	63A	40.0	No	1-GSP-01	GS	10	6P - 1-33-P-5	14.78	4.22	14.78	13.13	11.50	4.00	3/4"	1"
64W	11.0	No	64A	45.0	No	1-GSP-02	GS	13	6P - 1-33-P-5	14.78	4.22	14.78	13.13	11.50	4.00	3/4"	1"
65W	14.0	No	65A	62.0	No	1-GSP-03	GS	24	6P - 1-33-P-5	14.78	4.22	14.78	13.13	11.50	4.00	3/4"	1"
66W	20.0	Yes	66A	90.0	Yes	1-SLP-01	SL	39	6P - 1-33-P-5	14.78	4.22	14.78	13.13	11.50	4.00	3/4"	1"
67W	26.0	Yes	---	---	---	1-SLP-02	SL	45	6P - 1-33-P-5	14.78	4.22	14.78	13.13	11.50	4.00	3/4"	1"
81W	22.0	Yes	81A	90.0	Yes	1 1/2-GVP-01	GV	16	8P - 1 1/2-34-P-5	13.86	5.90	13.86	17.25	14.50	5.00	1 1/2"	1 1/2"
82W	30.0	Yes	82A	125.0	Yes	1 1/2-GVP-02	SL	23	8P - 1 1/2-34-P-5	13.86	5.90	13.86	17.25	14.50	5.00	1 1/2"	1 1/2"
83W	44.0	Yes	83A	180.0	Yes	1 1/2-SLP-01	SL	30	8P - 1 1/2-34-P-5	13.86	5.90	13.86	17.25	14.50	5.00	1 1/2"	1 1/2"
84W	50.0	Yes	84A	200.0	Yes	1 1/2-SLP-02	SL	35	8P - 1 1/2-34-P-5	13.86	5.90	13.86	17.25	14.50	5.00	1 1/2"	1 1/2"
85W	61.0	Yes	85A	250.0	Yes	1 1/2-SLP-03	SL	40	8P - 1 1/2-34-P-5	13.86	5.90	13.86	17.25	14.50	5.00	1 1/2"	1 1/2"
91W	41.0	Yes	91A	160.0	Yes	2-GVP-01	GV	5	9P - 2-33-P-5	13.86	5.90	13.86	17.25	14.50	5.00	1 1/2"	1 1/2"
92W	60.0	Yes	92A	245.0	Yes	2-GSP-01	GS	16	9P - 2-33-P-5	13.86	5.90	13.86	17.25	14.50	5.00	1 1/2"	1 1/2"
93W	86.0	Yes	---	---	---	2-SLP-01	SL	25	9P - 2-33-P-5	13.86	5.90	13.86	17.25	14.50	5.00	1 1/2"	1 1/2"
94W	116.0	Yes	---	---	---	2-SLP-02	SL	45	9P - 2-33-P-5	13.86	5.90	13.86	17.25	14.50	5.00	1 1/2"	1 1/2"



Ordering:

Use the following guide to determine the specific product number you require.

7	4	7					
---	---	---	--	--	--	--	--

Meter Series	Fitting Type/Material	Float Material	O-Ring Material	Order Number	Alarm Option
	Vertical FNPT - 316L SS - 1	316L SS - 2	EPR - 1	See Specifications	Check Specifications
	Horizontal FNPT - 316L SS - 2	Hastelloy® C-276 - 4	Buna-N - 2	Table	Table For Availability
	Vertical Flange - 150# - 3		Viton® - 3		Without Alarm - 0
	Vertical Flange - 300# - 4		Kalrez® - 4		With Alarm - 1
	Horizontal Flange - 150# - 5				
	Horizontal Flange - 300# - 6				
	Vertical FNPT-PVC - 7 (not for air service)				

Example: 747 - 2 - 2 - 1 - 83W - 0